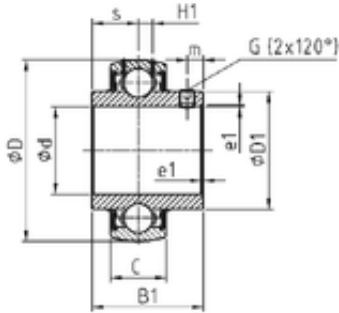




Wuxi NSB Transmission Technology Co.,...



UC208 Bearing 2D drawings and 3D CAD models

SNR UC208 deep groove ball bearings

Bearing No. UC208

Size	40x80x21 mm
Bore Diameter	40 mm
Outer Diameter	80 mm
Width	21 mm
d	40 mm
D	80 mm
B1	49,2 mm
C	21 mm
e	1,1 mm
a	4 mm
m	8 mm
s	19 mm
D1	53 mm
H1	6,3 mm
Thread (G)	M8x1
Weight	0,64 Kg
Basic dynamic load rating (C)	29,6 kN