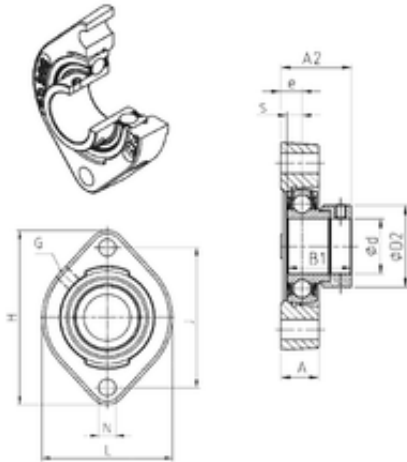




SNR ESFD202 bearing units



Bearing No. ESFD202

Bore Diameter	15 mm
d	15 mm
e	8,4 mm
s	6,5 mm
A	15 mm
B1	28,6 mm
D2	28,6 mm
H	81 mm
J	63,5 mm
L	58,7 mm
N	6,5 mm
Thread (G)	M6x1
A2	30,5 mm
Weight	0,3 Kg
Basic dynamic load rating (C)	9,55 kN

ESFD202 Bearing 2D drawings and 3D CAD models