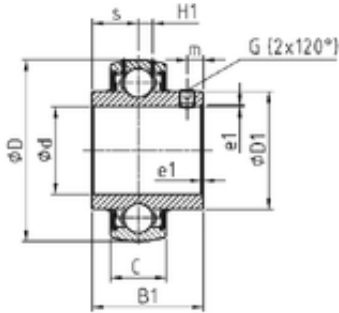




# Wuxi NSB Transmission Technology Co.,...



UC305-14 Bearing 2D drawings and 3D CAD models

## SNR UC305-14 deep groove ball bearings

Bearing No. UC305-14

Size	22.225x62x21 mm
Bore Diameter	22,225 mm
Outer Diameter	62 mm
Width	21 mm
d	22,225 mm
D	62 mm
B1	38 mm
C	21 mm
e	1,5 mm
a	3,175 mm
m	6 mm
s	15 mm
D1	354 mm
H1	6,2 mm
Thread (G) - 1/4-28UNF	1/428UNF
Weight	0,35 Kg
Basic dynamic load rating (C)	22,36 kN