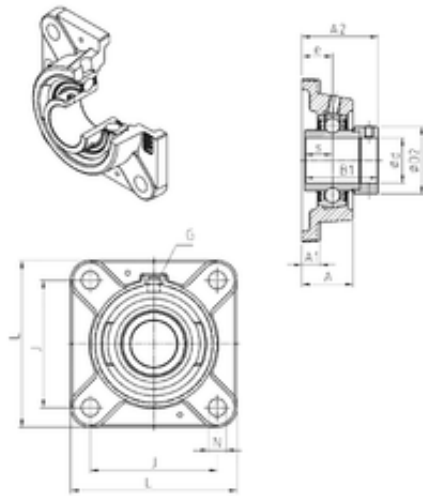




**SNR EXFE209 bearing units**

Bearing No. EXFE209



EXFE209 Bearing 2D drawings and 3D CAD models

Bore Diameter	45 mm
d	45 mm
e	24 mm
s	21,4 mm
A	40 mm
A1	13 mm
B1	56,3 mm
D2	63,5 mm
J	105 mm
L	137 mm
N	14 mm
Thread (G)	R1/8"
A2	58,9 mm
Weight	2,4 Kg
Basic dynamic load rating (C)	31,85 kN