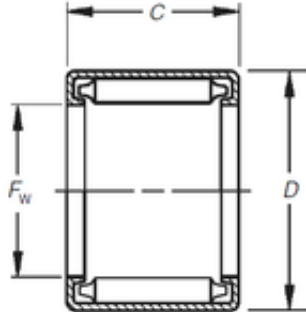




Wuxi NSB Transmission Technology Co.,...

Timken B-2012 needle roller bearings



Bearing No. B-2012

Size	31.75x38.1x19.05 mm
Bore Diameter	31,75 mm
Outer Diameter	38,1 mm
Width	19,05 mm
Fw	31,75 mm
D	38,1 mm
C	19,05 mm
Weight	0,039 Kg
Basic dynamic load rating (C)	28,9 kN
Basic static load rating (C0)	64,5 kN
(Grease) Lubrication Speed	2300 r/min

B-2012 Bearing 2D drawings and 3D CAD models