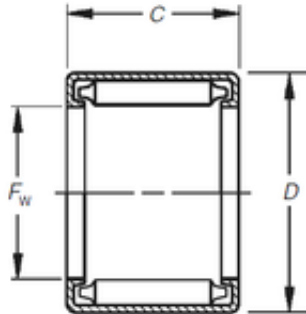




## Wuxi NSB Transmission Technology Co.,...

### Timken B-186 needle roller bearings



Bearing No. B-186

Size	28.575x34.925x9.53 mm
Bore Diameter	28,575 mm
Outer Diameter	34,925 mm
Width	9,53 mm
Fw	28,575 mm
D	34,925 mm
C	9,53 mm
Weight	0,018 Kg
Basic dynamic load rating (C)	12,1 kN
Basic static load rating (C0)	20,37 kN
(Grease) Lubrication Speed	2500 r/min

B-186 Bearing 2D drawings and 3D CAD models