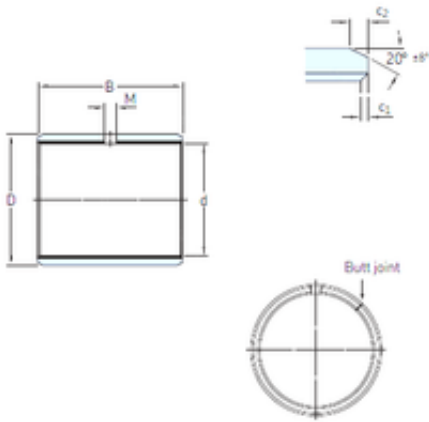




Wuxi NSB Transmission Technology Co.,...



5 mm x 7 mm x 8 mm SKF PCM 050708 E plain bearings

Bearing No. PCM 050708 E

PCM 050708 E Bearing 2D drawings and 3D CAD models

Size	5x7x8 mm
Bore Diameter	5 mm
Outer Diameter	7 mm
Width	8 mm
d	5 mm
D	7 mm
B	8 mm
c1 min	0,1 mm
c2 min	0,2 mm
M	– mm
Weight	0,0011 Kg
Basic dynamic load rating (C)	3,2 kN
Category	Plain Bearings
Inventory	0.0
Manufacturer Name	SKF
Minimum Buy Quantity	N/A
Weight / Kilogram	0.059
Product Group	B04264
c ₁ min.	0.1 mm
c ₁ max.	0.6 mm
c ₂ min.	0.2 mm
c ₂ max.	1 mm
± 8	20 °
Tolerance shaft	f7
Tolerance housing	H7



Wuxi NSB Transmission Technology Co.,...

Basic dynamic load rating - radial direction C	3.2 kN
Basic static load rating - radial direction C_0	10 kN
Specific dynamic load factor K	80 N/mm ²
Specific static load factor K_0	250 N/mm ²
Factor depending on material and bearing type K_M	480
Permissible sliding velocity v min.	0 m/s
Permissible sliding velocity v max.	2 m/s
Coefficient of friction μ min.	0.03
Coefficient of friction μ max.	0.25
Mass bushing	0.0011 kg