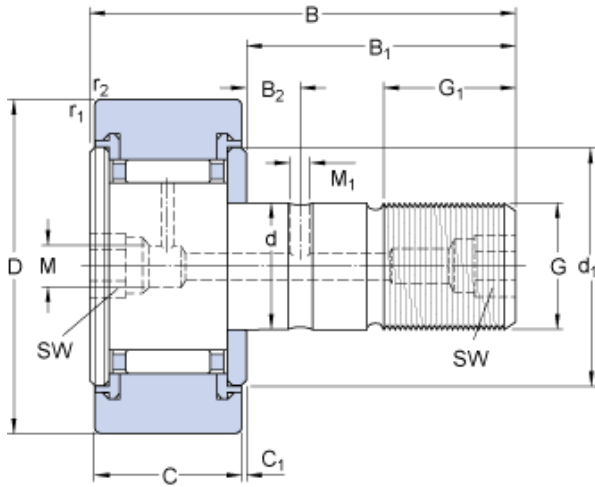




# Wuxi NSB Transmission Technology Co.,...



## 20 mm x 47 mm x 66 mm SKF KR 47 PPXA cylindrical roller bearings

Bearing No. KR 47 PPXA

KR 47 PPXA Bearing 2D drawings and 3D CAD models

Size	20x47x66 mm
Bore Diameter	20 mm
Outer Diameter	47 mm
Width	66 mm
D	47 mm
d	20 mm
B	66 mm
C	24 mm
B <sub>1</sub>	40.5 mm
B <sub>2</sub>	9 mm
C <sub>1</sub>	0.8 mm
d <sub>1</sub>	36.5 mm
G	M 20x1.5
G <sub>1</sub>	21 mm
M	6 mm
M <sub>1</sub>	4 mm
SW	10 mm
r <sub>1,2</sub> - min.	1 mm
Basic dynamic load rating - C	14.7 kN
Basic static load rating - C <sub>0</sub>	24.5 kN
Fatigue load limit - P <sub>u</sub>	2.9 kN
Maximum dynamic radial loads - F <sub>r</sub>	23.6 kN
Maximum static radial loads	33.5 kN



## Wuxi NSB Transmission Technology Co.,...

- F <sub>0r</sub>	
Limiting speed	3000 r/min
Mass support roller	0.381 kg
Recommended tightening torque	120 N · m
Grease fitting	NIP A2x7.5
Hexagonal nut	M 20x1.5
Category	Cam Follower and Track Roller - Stud Type
Inventory	0.0
Manufacturer Name	SKF
Minimum Buy Quantity	N/A
Weight / Kilogram	0.38
EAN	7316571612010
Product Group	B04144
Roller Surface Profile	Flat
Profile	Stud Type
Thread Size	M20X1.5
Stud Profile	Standard Stud
Enclosure	Sealed
Rolling Element	Needle Bearing
Relubricatable	Yes
Hex Socket	Yes
Inch - Metric	Metric
Other Features	Caged   Polyamide 66 Axial Sliding   3 Stage Sealing
Long Description	47MM Roller Diameter; 24MM Roller Width; Flat Roller Surface; Stud Type; 20MM Stud Diameter; M20X1.5 Thread; Standard Stud; Sealed; Needle Bearing; Relubricatable; Hex Socket
Category	Cam Followers Stud Type



## Wuxi NSB Transmission Technology Co.,...

UNSPSC	31171530
Harmonized Tariff Code	8482.40.00.00
Noun	Bearing
Keyword String	Cam Follower
Manufacturer URL	<a href="http://www.skf.com">http://www.skf.com</a>
Manufacturer Item Number	KR 47 PPXA
Weight / LBS	0.838
Stud Diameter	0.787 Inch   20 Millimeter
Roller Diameter	1.85 Inch   47 Millimeter
Roller Width	0.945 Inch   24 Millimeter
$B_1$	40.5 mm
$B_2$	9 mm
$C_1$	0.8 mm
$d_1$	36.5 mm
$G_1$	21 mm
$M_1$	4 mm
$r_{1,2}$ min.	1 mm
Basic dynamic load rating C	14.7 kN
Basic static load rating $C_0$	24.5 kN
Fatigue load limit $P_u$	2.9 kN
Maximum dynamic radial loads $F_r$ max.	23.6 kN
Maximum static radial loads $F_{0r}$ max.	33.5 kN
Mass cam follower	0.38 kg
Lubrication adapter	AP 10