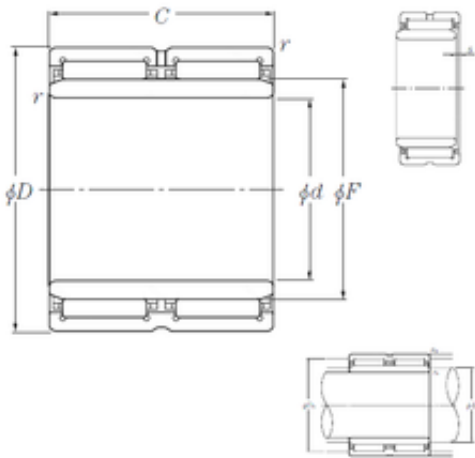




# Wuxi NSB Transmission Technology Co.,...



30 mm x 47 mm x 30 mm NTN NA6906R  
needle roller bearings

Bearing No. NA6906R

NA6906R Bearing 2D drawings and 3D CAD models

Size	30x47x30 mm
Bore Diameter	30 mm
Outer Diameter	47 mm
Width	30 mm
d	30 mm
F	35 mm
D	47 mm
B	30 mm
C	30 mm
r min.	0,3 mm
s	1 mm
da min.	32 mm
Da max.	45 mm
ra max.	0,3 mm
Weight	0,185 Kg
Basic dynamic load rating (C)	42,5 kN
Basic static load rating (C0)	67,5 kN
(Grease) Lubrication Speed	7 500 r/min
rs min	0.3 mm
s max	1 mm
Dw	4 mm
Lw	25.4 mm
Lubrication hole on outer ring	Oui/Yes
k	2.5 mm



## Wuxi NSB Transmission Technology Co.,...

Lubrication hole on inner ring	Non/No
Radial clearance class	CN
Precision class	P0
Mass	0.18 kg
Cr	42.5 kN
C0r	67.5 kN
Nlim (grease)	7,500 rpm
Nlim (oil)	11,000 rpm
Min operating temperature, Tmin	-20 ° C
Max operating temperature, Tmax	120 ° C
Characteristic cage frequency, FTF	0.45 Hz
Characteristic rolling element frequency, BSF	9.65 Hz
Characteristic outer ring frequency, BPF0	4.04 Hz
Characteristic inner ring frequency, BPF1	4.96 Hz
da min	32 mm
Da max	45 mm
ras max	0.3 mm
Category	Roller Bearings
Inventory	0.0
Manufacturer Name	NTN
Minimum Buy Quantity	N/A
Weight / Kilogram	0.19
Product Group	B04144