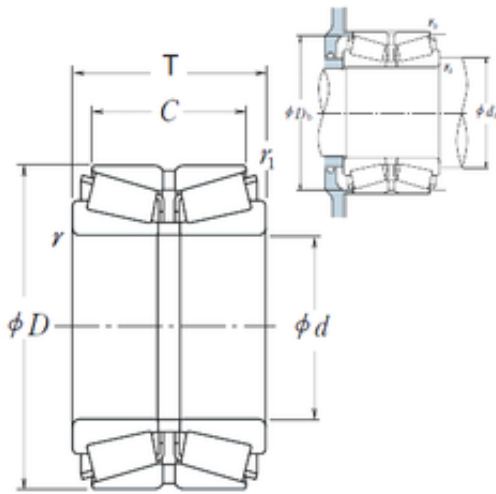




**NSK 240KBE30+L tapered roller bearings**



Bearing No. 240KBE30+L

240KBE30+L Bearing 2D drawings and 3D CAD models

Size	240x360x92 mm
Bore Diameter	240 mm
Outer Diameter	360 mm
Width	92 mm
d	240 mm
D	360 mm
T	92 mm
C	82 mm
r min.	4 mm
r1 min.	1,5 mm
da min.	261 mm
Db min.	344 mm
ra max.	3 mm
rb max.	1,5 mm
Weight	30,1 Kg
Basic dynamic load rating (C)	780 kN
Basic static load rating (C0)	1490 kN
(Grease) Lubrication Speed	700 r/min
(Oil) Lubrication Speed	900 r/min
Calculation factor (e)	0,39
Calculation factor (Y0)	1,7
Calculation factor (Y2)	2,6