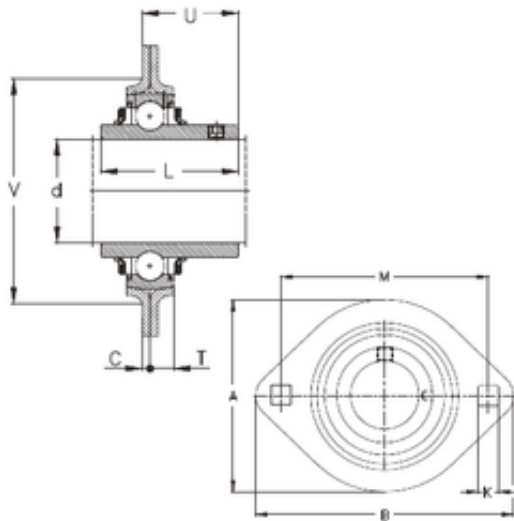




Wuxi NSB Transmission Technology Co.,...



RRTY35 Bearing 2D drawings and 3D CAD models

NKE RRTY35 bearing units

Bearing No. RRTY35

Bore Diameter	35 mm
d	35 mm
V	81 mm
U	27,9 mm
A	93,7 mm
B	123 mm
C	2,5 mm
K	10,5 mm
L	42,9 mm
M	100 mm
T	10,5 mm