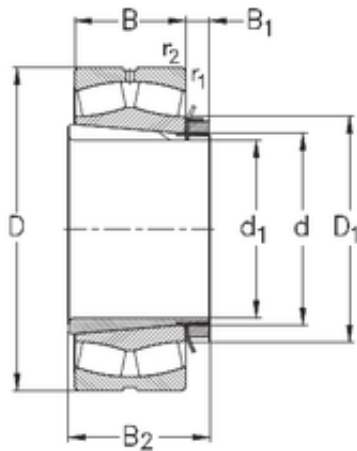




## Wuxi NSB Transmission Technology Co.,...



530 mm x 710 mm x 136 mm NKE 239/530-K-MB-W33+H39/530 spherical roller bearings

Bearing No. 239/530-K-MB-W33+H39/530

239/530-K-MB-W33+H39/530 Bearing 2D drawings and 3D CAD models

Size	530x710x136 mm
Bore Diameter	530 mm
Outer Diameter	710 mm
Width	136 mm
d	530 mm
d1	500 mm
D	710 mm
B	136 mm
C	136 mm
r1 min.	5 mm
r2 min.	5 mm
B1	68 mm
B2	216 mm
D1	630 mm
Weight	237,9 Kg
Basic dynamic load rating (C)	2801 kN
Basic static load rating (C0)	6583 kN
Limiting speed	900 r/min
Calculation factor (e)	0,18
Calculation factor (Y0)	3,58
Calculation factor (Y1)	3,66