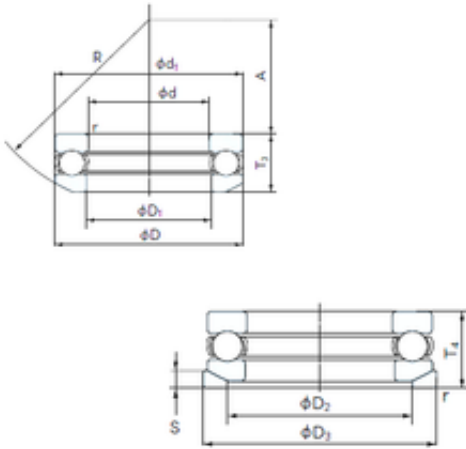




Wuxi NSB Transmission Technology Co.,...

NACHI 53200U thrust ball bearings

Bearing No. 53200U



53200U Bearing 2D drawings and 3D CAD models

Size	10x26x13 mm
Bore Diameter	10 mm
Outer Diameter	26 mm
Width	13 mm
d	10 mm
D	26 mm
T	13 mm
d1	26 mm
r min.	0.6 mm
A	8.5 mm
D1	12 mm
D2	18 mm
D3	28 mm
R	22 mm
S	3.5 mm
Weight	0.036 Kg
Basic dynamic load rating (C)	12,7 kN
Basic static load rating (C0)	17,1 kN
(Grease) Lubrication Speed	5900 r/min