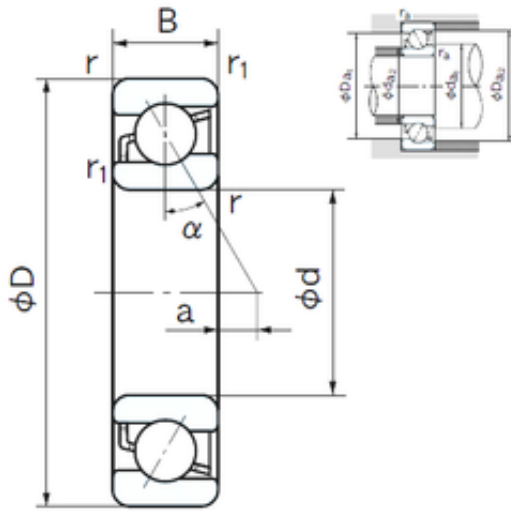




Wuxi NSB Transmission Technology Co.,...



55 mm x 120 mm x 29 mm NACHI 7311 angular contact ball bearings

Bearing No. 7311

7311 Bearing 2D drawings and 3D CAD models

Size	55x120x29 mm
Bore Diameter	55 mm
Outer Diameter	120 mm
Width	29 mm
d	55 mm
D	120 mm
B	29 mm
C	29 mm
Angle (°)	30 °
a	10.8 mm
r min.	2 mm
r1 min.	1 mm
da min.	65 mm
Da max.	110 mm
ra max.	2 mm
Weight	1.45 Kg
Basic dynamic load rating (C)	85,5 kN
Basic static load rating (C0)	61,5 kN
(Grease) Lubrication Speed	5000 r/min
Configuration	Single Row
Enclosure	Open
Bore Type	Cylindrical Bore
Bore Size	55 mm
Outside Diameter	120 mm
Width	29 mm



Wuxi NSB Transmission Technology Co.,...

Fillet Radius/Chamfer	2 mm
r1	1 mm
Dynamic Load Rating	85,500 N
Static Load Rating	61,500 N
Limiting Speed - Grease	5,000 rpm
Limiting Speed - Oil	7,000 rpm
da1 (min)	65 mm
da2 (min)	61 mm
Da1 (max)	110 mm
Da2 (max)	114 mm
ra (max)	2 mm
ra1 (max)	1 mm