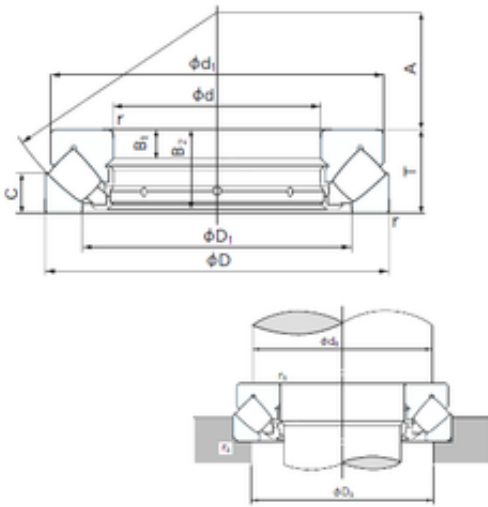




## Wuxi NSB Transmission Technology Co.,...



130 mm x 225 mm x 19 mm NACHI 29326E  
thrust roller bearings

Bearing No. 29326E

29326E Bearing 2D drawings and 3D CAD models

Size	130x225x58 mm
Bore Diameter	130 mm
Outer Diameter	225 mm
Width	58 mm
d	130 mm
D	225 mm
T	58 mm
d1	215 mm
r min.	2.1 mm
A	76 mm
B1	19 mm
B2	55 mm
C	28 mm
D1	171 mm
da min.	170 mm
Da max.	195 mm
ra max.	2 mm
Weight	9.45 Kg
Basic dynamic load rating (C)	665 kN
Basic static load rating (C0)	2420 kN
Bore Type	Cylindrical Bore
Enclosure	Open
Configuration	Single Row
Bore Size	130 mm
Outside Diameter	225 mm



## Wuxi NSB Transmission Technology Co.,...

Fillet Radius/Chamfer	2.1 mm
Width	58 mm
Dynamic Load Rating	665,000 N
Static Load Rating	2,420,000 N
Limiting Speed - Oil	1,800 rpm
B	19 mm
da (min)	170 mm
Da (max)	195 mm
ra (max)	2 mm