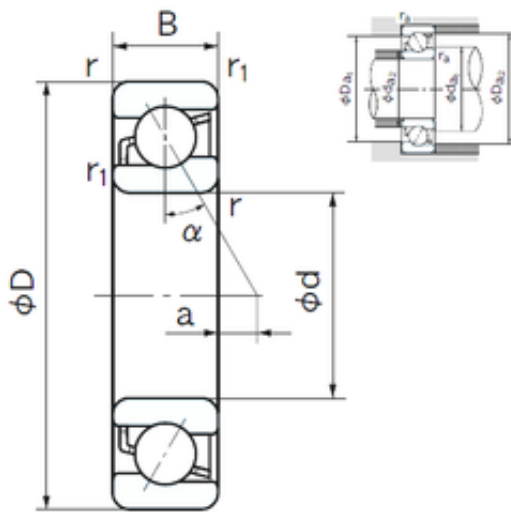




Wuxi NSB Transmission Technology Co.,...



30 mm x 72 mm x 19 mm NACHI 7306C angular contact ball bearings

Bearing No. 7306C

7306C Bearing 2D drawings and 3D CAD models

Size	30x72x19 mm
Bore Diameter	30 mm
Outer Diameter	72 mm
Width	19 mm
d	30 mm
D	72 mm
B	19 mm
C	19 mm
Angle (°)	15 °
a -	3.6 mm
r min.	1.1 mm
r1 min.	0.6 mm
da min.	37 mm
Da max.	65 mm
ra max.	1 mm
Weight	0.360 Kg
Basic dynamic load rating (C)	32,5 kN
Basic static load rating (C0)	20,4 kN
(Grease) Lubrication Speed	16000 r/min
Configuration	Single Row
Enclosure	Open
Bore Type	Cylindrical Bore
Bore Size	30 mm
Outside Diameter	72 mm
Width	19 mm



Wuxi NSB Transmission Technology Co.,...

Fillet Radius/Chamfer	1.1 mm
r1	0.6 mm
a	-3.6 mm
Dynamic Load Rating	32,500 N
Static Load Rating	20,400 N
Limiting Speed - Grease	16,000 rpm
Limiting Speed - Oil	22,000 rpm
da1 (min)	37 mm
da2 (min)	37 mm
Da1 (max)	65 mm
Da2 (max)	67 mm
ra (max)	1 mm
ra1 (max)	0.6 mm