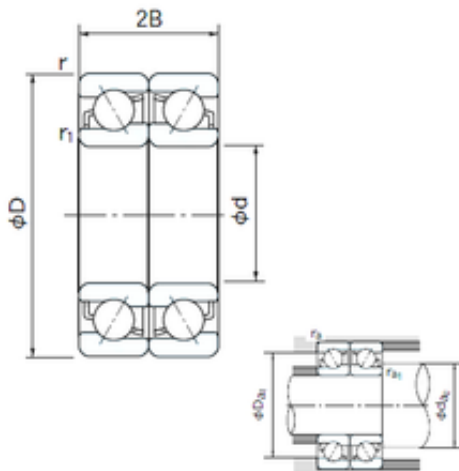




Wuxi NSB Transmission Technology Co.,...



40 mm x 90 mm x 23 mm NACHI 7308DF
angular contact ball bearings

Bearing No. 7308DF

7308DF Bearing 2D drawings and 3D CAD models

Size	40x90x23 mm
Bore Diameter	40 mm
Outer Diameter	90 mm
Width	23 mm
d	40 mm
D	90 mm
B	23 mm
C	23 mm
Angle (°)	30 °
a	7.3 mm
r min.	1.5 mm
r1 min.	1 mm
2B	46 mm
da min.	45 mm
Da max.	84.6 mm
ra max.	1 mm
Weight	0.655 Kg
Basic dynamic load rating (C)	79 kN
Basic static load rating (C0)	66 kN
(Grease) Lubrication Speed	5500 r/min
Bore Type	Cylindrical Bore
Enclosure	Open
Configuration	Duplex
Bore Size	40 mm
Outside Diameter	90 mm



Wuxi NSB Transmission Technology Co.,...

Width	23 mm
Fillet Radius/Chamfer	1.5 mm
r1	1 mm
Dynamic Load Rating	79,000 N
Static Load Rating	66,000 N
Limiting Speed - Grease	5,500 rpm
Limiting Speed - Oil	7,500 rpm
da1 (min)	49 mm
da2 (min)	45 mm
Da1 (max)	81 mm
Da2 (max)	84.6 mm
ra (max)	1.5 mm
ra1 (max)	1 mm