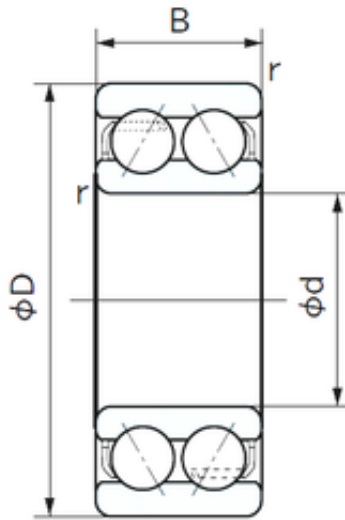




## Wuxi NSB Transmission Technology Co.,...



45 mm x 85 mm x 30.2 mm NACHI 5209  
angular contact ball bearings

Bearing No. 5209

5209 Bearing 2D drawings and 3D CAD models

Size	45x85x30.2 mm
Bore Diameter	45 mm
Outer Diameter	85 mm
Width	30.2 mm
d	45 mm
D	85 mm
B	30.2 mm
C	30.2 mm
Angle ( )	30 °
r min.	1.1 mm
Weight	0.620 Kg
Basic dynamic load rating (C)	51 kN
Basic static load rating (C0)	39 kN
(Grease) Lubrication Speed	5500 r/min
Category	Angular Contact Ball Bearings
Inventory	3.0
Manufacturer Name	NACHI
Minimum Buy Quantity	N/A
Weight / Kilogram	0.622
EAN	4991893601459
Product Group	B00152
Enclosure	Open
Flush Ground	No
Rolling Element	Ball Bearing



## Wuxi NSB Transmission Technology Co.,...

Number of Rows of Balls	Double Row
Precision Class	ABEC 1   ISO P0
Maximum Capacity / Filling Slot	No
Snap Ring	No
Cage Material	Steel
Contact Angle	20 Degree
Internal Clearance	C0-Medium
Number of Bearings	1 (Single)
Inch - Metric	Metric
Long Description	45MM Bore; 85MM Outside Diameter; 30.2MM Width; Open; No Flush Ground; Ball Bearing; Double Row of Balls; ABEC 1   ISO P0; No Filling Slot; No Snap Ring
Category	Angular Contact Ball Bearing
UNSPSC	31171531
Harmonized Tariff Code	8482.10.50.28
Noun	Bearing
Keyword String	Angular Contact
Manufacturer URL	<a href="http://www.nachi.com">http://www.nachi.com</a>
Manufacturer Item Number	5209 BNLS
Weight / LBS	1.37
Bore	1.772 Inch   45 Millimeter
Width	1.189 Inch   30.2 Millimeter
Outside Diameter	3.346 Inch   85 Millimeter
Configuration	Double Row
Bore Type	Cylindrical Bore
Bore Size	45 mm
Fillet Radius/Chamfer	1.1 mm
Dynamic Load Rating	51,000 N
Static Load Rating	39,000 N



## Wuxi NSB Transmission Technology Co.,...

Limiting Speed - Grease	5,500 rpm
Limiting Speed - Oil	7,500 rpm
Radial Clearance	0.006 to 0.023 mm
da	52 mm 78 mm
Dx	93 mm
ra	1 mm
Cy	4.7 mm