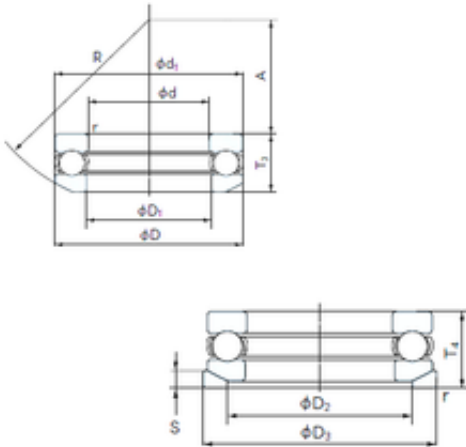




**NACHI 53330U thrust ball bearings**

Bearing No. 53330U



53330U Bearing 2D drawings and 3D CAD models

Size	150x250x92 mm
Bore Diameter	150 mm
Outer Diameter	250 mm
Width	92 mm
d	150 mm
D	250 mm
T	92 mm
d1	245 mm
r min.	2.1 mm
A	89.5 mm
D1	154 mm
D2	200 mm
D3	260 mm
R	200 mm
S	26 mm
Weight	19.1 Kg
Basic dynamic load rating (C)	360 kN
Basic static load rating (C0)	1130 kN
(Grease) Lubrication Speed	670 r/min