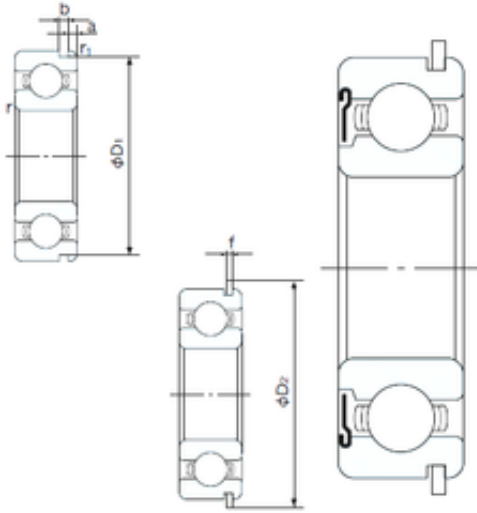




## Wuxi NSB Transmission Technology Co.,...



6920ZNR Bearing 2D drawings and 3D CAD models

100 mm x 140 mm x 20 mm NACHI 6920ZNR deep groove ball bearings

Bearing No. 6920ZNR

Size	100x140x20 mm
Bore Diameter	100 mm
Outer Diameter	140 mm
Width	20 mm
d	100 mm
D	140 mm
B	20 mm
C	20 mm
a	3.3 mm
b	1.9 mm
f	1.7 mm
r min.	1.1 mm
r1 min.	0.5 mm
D1	137.6 mm
D2	145.7 mm
Weight	0.780 Kg
Basic dynamic load rating (C)	37 kN
Basic static load rating (C0)	36,5 kN
(Grease) Lubrication Speed	4400 r/min
Enclosure	Single Shield with Snap Ring
Bore Type	Cylindrical Bore
Configuration	Single Row
Bore Size	100 mm
Outside Diameter	140 mm
Width	20 mm



## Wuxi NSB Transmission Technology Co.,...

Fillet Radius/Chamfer	1.1 mm
r1	0.5 mm
Snap Ring Width	1.7 mm
Snap Ring Outside Diameter	145.7 mm
D1 (max)	137.6 mm
a (max)	3.3 mm
b (min)	1.9 mm
Dynamic Load Rating	37,000 N
Static Load Rating	36,500 N
Limiting Speed - Grease	4,500 rpm
Limiting Speed - Oil	5,300 rpm
Factor fo	16.5
Radial Clearance	0.012 to 0.036 mm
da (min)	106 mm
Da (max)	134 mm
Dx (min)	147 mm
ra (max)	1 mm
Cy (max)	4.7 mm