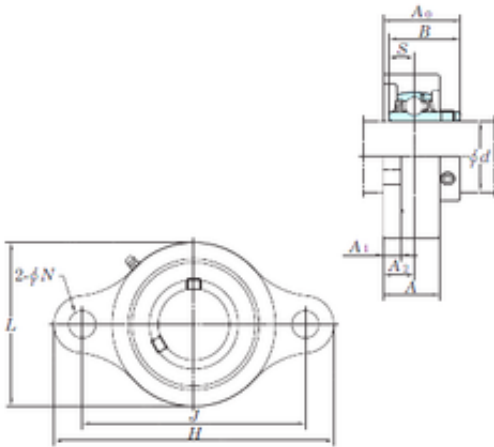




KOYO UCSFL205H1S6 bearing units

Bearing No. UCSFL205H1S6



UCSFL205H1S6 Bearing 2D drawings and 3D CAD models

Bore Diameter	25 mm
d	25 mm
A0	35,8 mm
A	27,5 mm
A1	10 mm
B	34,1 mm
H	130 mm
J	99 mm
L	68 mm
N	16 mm
S	14,3 mm
Bolt (G)	M14
A2	16 mm
Weight	0,6 Kg
Basic dynamic load rating (C)	11,9 kN
Basic static load rating (C0)	6,3 kN
Bearing No.	UCSFL205H1S6
Bolt size	M14
Cr	11.9
C0r	6.30
f0	13.9
(Refer.)Unit mass(kg)	0.60