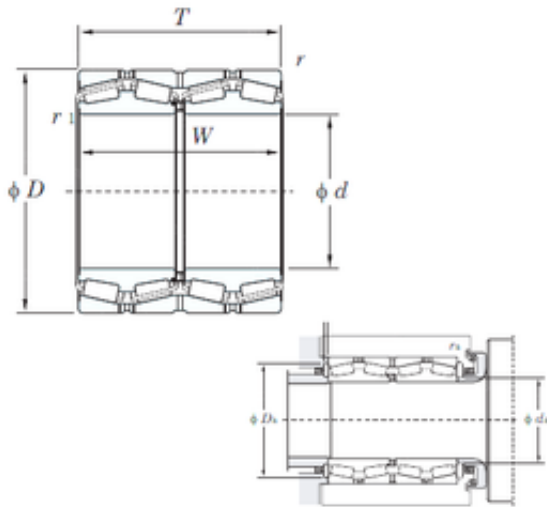




Wuxi NSB Transmission Technology Co.,...



47228 Bearing 2D drawings and 3D CAD models

KOYO 47228 tapered roller bearings

Bearing No. 47228

Size	140x210x114 mm
Bore Diameter	140 mm
Outer Diameter	210 mm
Width	114 mm
d	140 mm
D	210 mm
T	114 mm
r min.	2 mm
r1 min.	2.5 mm
S	6 mm
W	114 mm
da min.	159.2 mm
Da min	190 mm
Da max.	200 mm
ra max.	2 mm
rb max.	2 mm
Weight	12.9 Kg
Basic dynamic load rating (C)	623 kN
Basic static load rating (C0)	1130 kN
Calculation factor (e)	2.47
Calculation factor (Y0)	0.27
Bearing No.	47228
r	2
Cr	669
C0r	1130
Cu	154



Wuxi NSB Transmission Technology Co.,...

r1	2.5
da(max)	160
Da(max)	200
Da(min)	190
S(min)	6
ra(max)	2
rb(max)	2
Y2	2.47
Y3	3.67
Y0	2.41
e	0.27
(Refer.)Mass(kg)	13.7