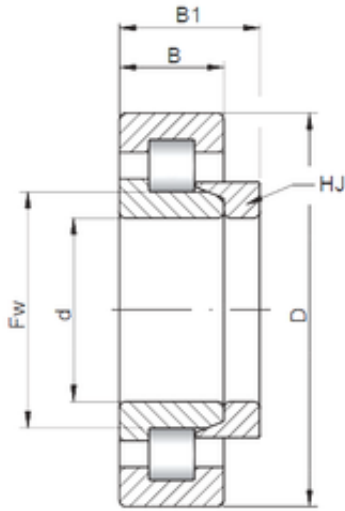




Wuxi NSB Transmission Technology Co.,...



280 mm x 420 mm x 65 mm ISO NH1056
cylindrical roller bearings

Bearing No. NH1056

Size	280x420x65 mm
Bore Diameter	280 mm
Outer Diameter	420 mm
Width	65 mm
d	280 mm
D	420 mm
B	65 mm
C	65 mm
B1	16 mm
B2	31,5 mm

NH1056 Bearing 2D drawings and 3D CAD models