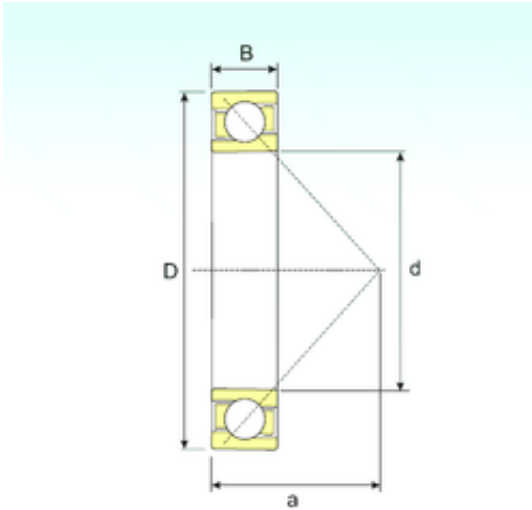




## Wuxi NSB Transmission Technology Co.,...



7034 B Bearing 2D drawings and 3D CAD models

170 mm x 260 mm x 42 mm ISB 7034 B angular contact ball bearings

Bearing No. 7034 B

Size	170x260x42 mm
Bore Diameter	170 mm
Outer Diameter	260 mm
Width	42 mm
d	170 mm
D	260 mm
B	42 mm
C	42 mm
a	129 mm
Weight	7,8 Kg
Basic dynamic load rating (C)	159 kN
Basic static load rating (C0)	140 kN
(Grease) Lubrication Speed	2000 r/min