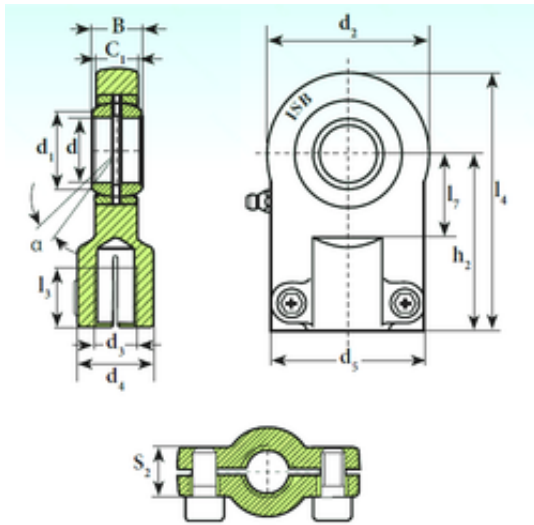




# Wuxi NSB Transmission Technology Co.,...



## ISB TAPR 707 DO plain bearings

Bearing No. TAPR 707 DO

Bore Diameter	50 mm
d	50 mm
B	35 mm
d1	56 mm
d2	120 mm
d4	55 mm
h2	130 mm
l3 min.	46 mm
l4 max.	188 mm
l7 min.	62 mm
C1	30 mm
S2	30 mm
Thread (G)	M33x2
Bolt (G)	M12x30
Angle	6 °
d5	105 r/min
Weight	3,9 Kg
Basic dynamic load rating (C)	156 kN

TAPR 707 DO Bearing 2D drawings and 3D CAD models