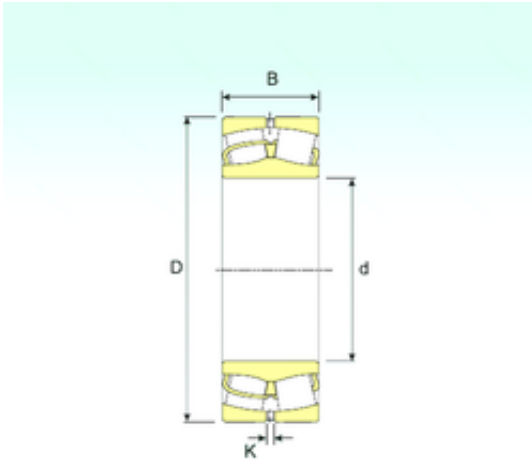




Wuxi NSB Transmission Technology Co.,...



23956 Bearing 2D drawings and 3D CAD models

280 mm x 380 mm x 75 mm ISB 23956 spherical roller bearings

Bearing No. 23956

| | |
|-------------------------------|---------------|
| Size | 280x380x75 mm |
| Bore Diameter | 280 mm |
| Outer Diameter | 380 mm |
| Width | 75 mm |
| d | 280 mm |
| D | 380 mm |
| B | 75 mm |
| C | 75 mm |
| K | 6 mm |
| Weight | 25 Kg |
| Basic dynamic load rating (C) | 828 kN |
| Basic static load rating (C0) | 1725 kN |
| (Grease) Lubrication Speed | 1300,5 r/min |