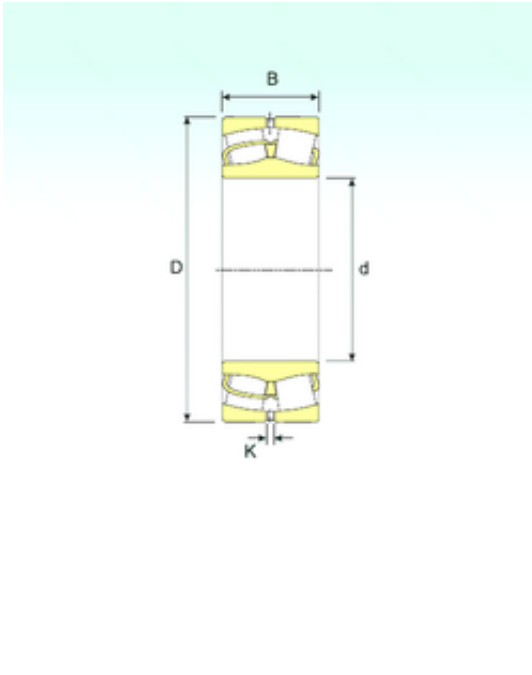




Wuxi NSB Transmission Technology Co.,...



23060 Bearing 2D drawings and 3D CAD models

300 mm x 460 mm x 118 mm ISB 23060
spherical roller bearings

Bearing No. 23060

Size	300x460x118 mm
Bore Diameter	300 mm
Outer Diameter	460 mm
Width	118 mm
d	300 mm
D	460 mm
B	118 mm
C	118 mm
K	9 mm
Weight	71,5 Kg
Basic dynamic load rating (C)	2078 kN
Basic static load rating (C0)	3381 kN
(Grease) Lubrication Speed	1147,5 r/min