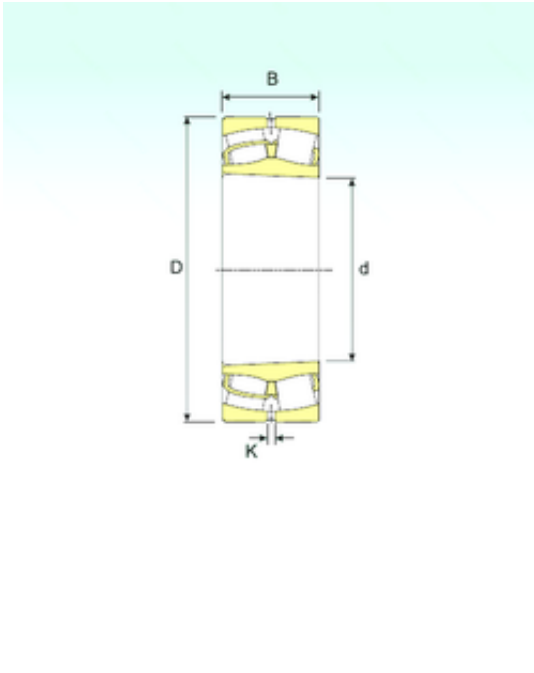




# Wuxi NSB Transmission Technology Co.,...



239/1060 K Bearing 2D drawings and 3D CAD models

1060 mm x 1400 mm x 250 mm ISB 239/1060 K spherical roller bearings

Bearing No. 239/1060 K

Size	1060x1400x250 mm
Bore Diameter	1060 mm
Outer Diameter	1400 mm
Width	250 mm
d	1060 mm
D	1400 mm
B	250 mm
C	250 mm
K	12 mm
Weight	1100 Kg
Basic dynamic load rating (C)	9359 kN
Basic static load rating (C0)	25480 kN
(Grease) Lubrication Speed	259,2 r/min