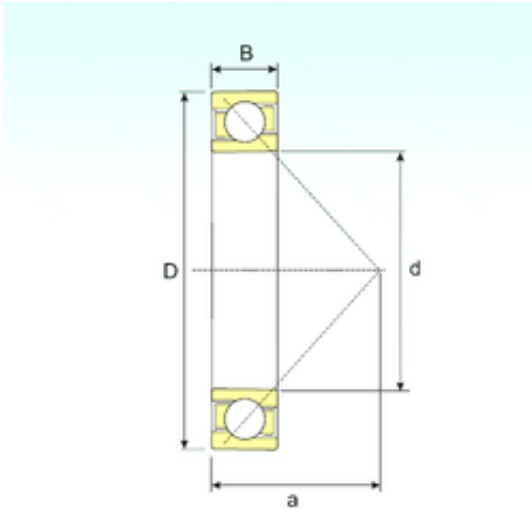




Wuxi NSB Transmission Technology Co.,...



15 mm x 35 mm x 11 mm ISB 7202 B angular contact ball bearings

Bearing No. 7202 B

Size	15x35x11 mm
Bore Diameter	15 mm
Outer Diameter	35 mm
Width	11 mm
d	15 mm
D	35 mm
B	11 mm
C	11 mm
a	16 mm
Weight	0,045 Kg
Basic dynamic load rating (C)	8,66 kN
Basic static load rating (C0)	4,7 kN
(Grease) Lubrication Speed	18360 r/min

7202 B Bearing 2D drawings and 3D CAD models