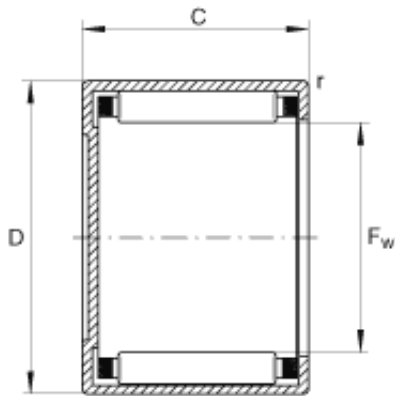




Wuxi NSB Transmission Technology Co.,...



INA BCE810 needle roller bearings

Bearing No. BCE810

Size	12.7x17.462x15.875 mm
Bore Diameter	12,7 mm
Outer Diameter	17,462 mm
Width	15,875 mm
F _w	1/2 inch
F _w	12,7 mm
D	0,687 inch
D	17,462 mm
C	0,625 inch
C	15,875 mm
m	0,021 lbs / Weight
m	9 g / Weight
C _r	1980 lbf / Dynamic load rating (radial)
C _r	8800 N / Dynamic load rating (radial)
C _{0r}	2750 lbf / Static load rating (radial)
C _{0r}	12300 N / Static load rating (radial)
n _G	19500 1/min / Limiting speed
n _B	13300 1/min / Reference speed
Category	Bearings
Inventory	0.0
Manufacturer Name	SCHAEFFLER GROUP
Minimum Buy Quantity	N/A

BCE810 Bearing 2D drawings and 3D CAD models



Wuxi NSB Transmission Technology Co.,...

Weight / Kilogram	0.015
Product Group	B04144