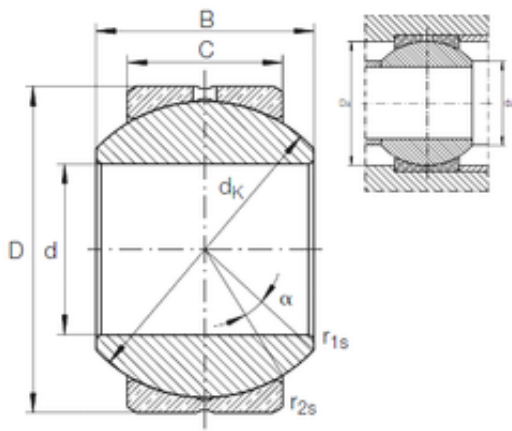




Wuxi NSB Transmission Technology Co.,...



22 mm x 42 mm x 28 mm INA GE 22 PB plain bearings

Bearing No. GE 22 PB

GE 22 PB Bearing 2D drawings and 3D CAD models

Size	22x42x28 mm
Bore Diameter	22 mm
Outer Diameter	42 mm
Width	28 mm
d	22 mm
D	42 mm
B	28 mm
C	20 mm
dk	38,1 mm
r1 min.	0,3 mm
r2 min.	0,6 mm
da max	25,8 mm
Da min	34 mm
Angle	15 °
Weight	0,18 Kg
Basic dynamic load rating (C)	38 kN