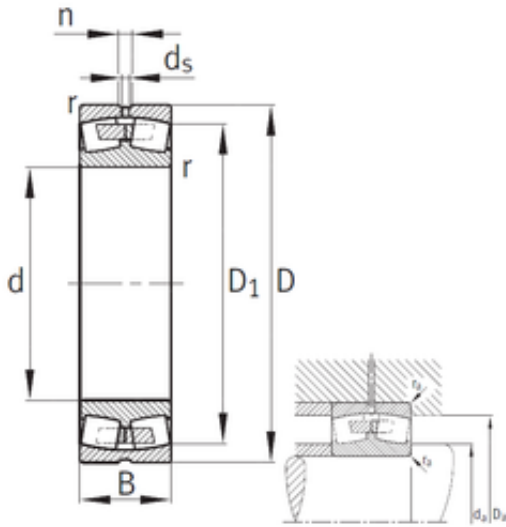




Wuxi NSB Transmission Technology Co.,...



300 mm x 460 mm x 160 mm FAG 24060-B-K30-MB spherical roller bearings

Bearing No. 24060-B-K30-MB

Size	300x460x160 mm
Bore Diameter	300 mm
Outer Diameter	460 mm
Width	160 mm
d	300 mm
D	460 mm
B	160 mm
C	160 mm
n	15 mm
r min.	4 mm
D1	401,5 mm
da min.	314,6 mm
Da max.	445,4 mm
ra max.	3 mm
d5	8 r/min
Weight	97,7 Kg
Basic dynamic load rating (C)	2500 kN
Basic static load rating (C0)	5200 kN
Fatigue load limit (Pu)	300
Reference speed	700 r/min
Limiting speed	1 000 r/min
Calculation factor (e)	0,35
Calculation factor (Y0)	1,91
Calculation factor (Y1)	1,95

24060-B-K30-MB Bearing 2D drawings and 3D CAD models