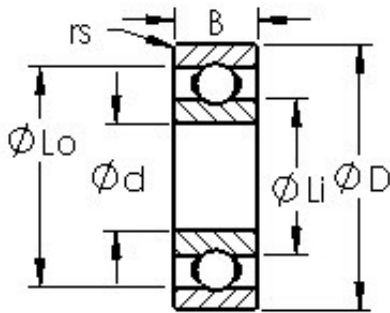




# Wuxi NSB Transmission Technology Co.,...



## AST 6313 deep groove ball bearings

Bearing No. 6313

Size	65x140x33 mm
Bore Diameter	65 mm
Outer Diameter	140 mm
Width	33 mm
Bearing Type	Open
Bore Dia (d)	65.0000
Outer Dia (D)	140.0000
Width (B)	33.0000
Radius (min) (rs)	2.100
Dynamic Load Rating (Cr)	92,700
Static Load Rating (Cor)	59,900
Max Speed (Grease) (X1000 RPM)	5
Max Speed (Oil) (X1000 RPM)	6
Max. Shaft Shoulder Dia. Inner (Li)	85.5
Min. Housing Shoulder Dia., Outer (Lo)	129.0
Ball Qty	8
Ball Dia (Dw)	23.8130
Weight (g)	2,080.00
Precision	A1
Standard Clearance	C0
Material	52100 Chrome steel (or equivalent)

6313 Bearing 2D drawings and 3D CAD models