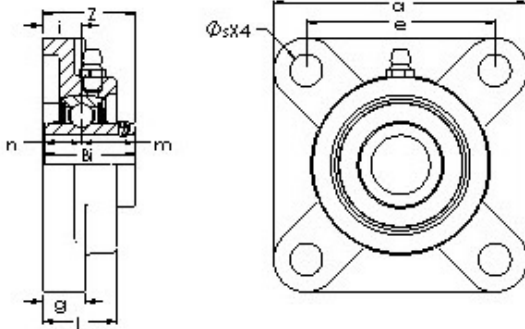




# Wuxi NSB Transmission Technology Co.,...



## AST UCF 210-32G5PL bearing units

Bearing No. UCF 210-32G5PL

Bore Diameter	50,8 mm
Bearing Type	Thermoplastic housing
Dynamic Load Rating (Cr)	7,890
Static Load Rating (Cor)	5,223
Shaft Dia. (Fw)	2.0000
Mounting Hole Center-to-Center (e)	4.3740
Housing Length (a)	6.2600
Housing Base Thickness (g)	0.8270
Bearing Inner Race Width (Bi)	2.0320
Bearing Inner Race Width - Short Side (n)	0.7480
Bearing Inner Race Width - Extended Side (m)	1.2840
Mounting Bolt Size	0.5630
Mounting Hole Dia. (s)	0.6260
Flange Assembly Height (Z)	2.2680
Flange Height (l)	1.5630
Mounting Base to Bearing Center (i)	0.9843
Material	Molded thermoplastic housing, chrome steel bearing

UCF 210-32G5PL Bearing 2D drawings and 3D CAD models