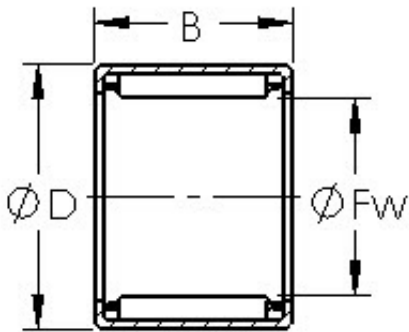




# Wuxi NSB Transmission Technology Co.,...



## AST SCE105 needle roller bearings

Bearing No. SCE105

Bore Diameter	15,875 mm
Outer Diameter	20,6502 mm
Width	7,9502 mm
Bearing Type	Cage Retained Rollers
Outer Dia (D)	0.8130
Width (B)	0.3130
Dynamic Load Rating (Cr)	970
Static Load Rating (Cor)	1,180
Max Speed (Grease) (X1000 RPM)	17,600
Shaft (Fw)	0.625
Weight (g)	5.00
Material - Drawn cup: Hardened carbon steel alloy, Rollers	52100 Chrome steel or equivalent

SCE105 Bearing 2D drawings and 3D CAD models