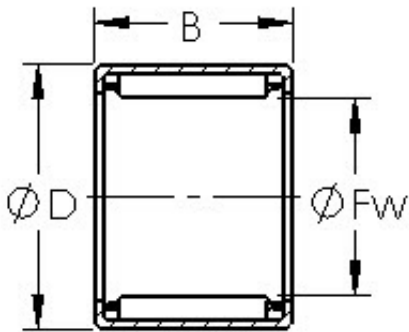




Wuxi NSB Transmission Technology Co.,...



AST HK2526 needle roller bearings

Bearing No. HK2526

Size	25x32x26 mm
Bore Diameter	25 mm
Outer Diameter	32 mm
Width	26 mm
Bearing Type	Cage Retained Rollers
Outer Dia (D)	32.0000
Width (B)	26.0000
Dynamic Load Rating (Cr)	25,500
Static Load Rating (Cor)	45,000
Max Speed (Grease) (X1000 RPM)	10,000
Shaft (Fw)	25.000
Weight (g)	44.00
Material - Drawn cup: Hardened carbon steel alloy, Rollers	52100 Chrome steel or equivalent

HK2526 Bearing 2D drawings and 3D CAD models