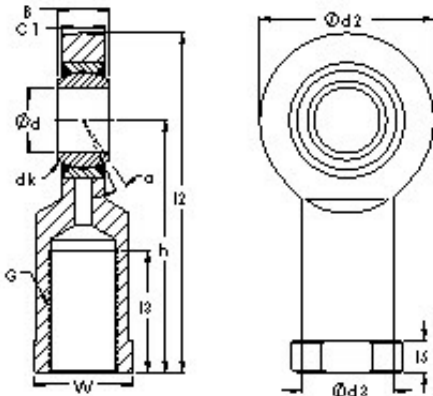




Wuxi NSB Transmission Technology Co.,...



AST SIJK20C plain bearings

Bearing No. SIJK20C

Bore Diameter	20 mm
Width	25 mm
Bearing Type - steel-on-PTFE composite	steelonPTFE composite
Bore Dia (d)	20.0000
Width (B)	25.0000
Radius (min) (rs)	0.600
Dynamic Load Rating (Cr)	34,000
Static Load Rating (Cor)	40,000
Spherical Diameter (dk or Dk)	34.930
Mis-alignment Angle (a deg.)	14
Thread Length (l1)	30.000
Bore Center to End of Rod (h)	77.000
Rod Overall Length (l2)	102.000
Rod End Thickness (C1)	18.500
Bore Center to Body (l7)	25
Thread Size (G)	M20 X 1.5
Rod End Width (d2)	50.000
Body Dia. (d3)	27.500
Body End Dia. (d4)	34.000
Body End Width (l5)	10.000
Body End Flats (W)	30.000
Weight (g)	430.00
Material - Body - Carbon steel-zinc plated, Ball -	PTFE composite material

SIJK20C Bearing 2D drawings and 3D CAD models



Wuxi NSB Transmission Technology Co.,...

Hardened chrome steel- chrome plated, Liner	
--	--